

OPTIC LENS TOOLS



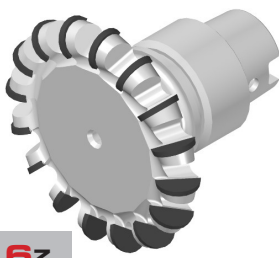


EHWA offers a superior solution for generating eye glass lens materials such as poly carbonate, CR-39 and Hi index.

EHWA cutters provide excellent cutting experience with its outstanding tool life and surface finish.



NEW PRODUCT



Spec :
66D -16Z - HSK32E (C)

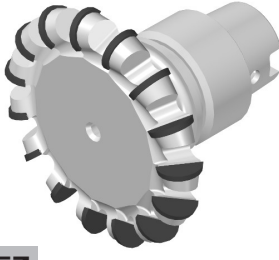
Feature :
16Z cutting edges for higher feed CW/CCW

16z



Spec :
66D -14Z-flw


Feature :
14Z cutting edges



Spec :
66D -15Z-HSK32E(C)


Feature :
15Z cutting edges for higher feed CW/CCW

15Z



Spec :
67.5D -12Z-disc

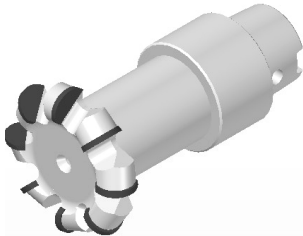
Feature :
12Z cutting edges CW/CCW



Spec :
66D -12Z - HSK32E(C)

Feature :
12Z cutting edges CW/CCW

12Z



Spec :
45D -8Z - HSK32C

Feature :
8Z cutting edges CW/CCW

